

Width x Depth x Height
583 x 797 x 993 mm



► EASYCOOK

Qty. : _____
Item : _____
Order : _____
Client : _____

DESCRIPTION:

EASYCOOK

MACOM Eletric Easycook.
PREMIUM COOKING.

FEATURES :

- Stainless steel construction;
- Door with tilting compartment to dump food into the equipment;
- Temperature and working time control with programmable digital controller and audible alarm;
- The digital controller prevents the oil from overheating, prolonging its useful life;
- Capacity to record up to 10 recipes;
- The internal tilting basket of the fryer automatically removes food from the oil, ensuring more crispness and flavor;
- "Shake" function for homogeneous frying;
- "Melt" function for frying using lard;
- Stainless steel frying basket;
- Exhaust system built into the equipment with 04 filtering stages;
- ANSUL fire suppression system to offer more security to the operator and the establishment;
- Security alarm for open door and lack of filter;
- Trough to collect waste;
- Leveling feet in nylon with 100mm height.

TECHNICAL SPECIFICATIONS :

Dimensions :	583 x 797 x 993 mm
Dimensions with package :	680 x 870 x 1130mm
Weight :	70 Kg
Weight with package:	80 Kg
Capacity in liters :	10,5 L
Volume :	0,43 m ³
Power :	7467 W
Work temperature :	80°C a 185°C
Protection degree :	IP 23
Power supply :	220V - 60Hz (~1)
Current :	32,7 A

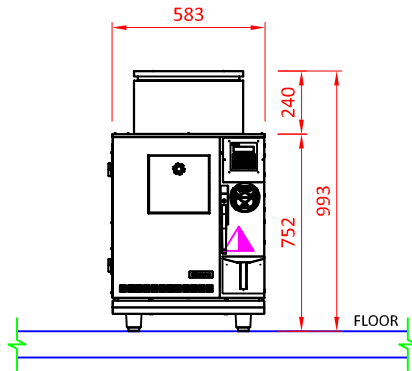


PREMIUM COOKING

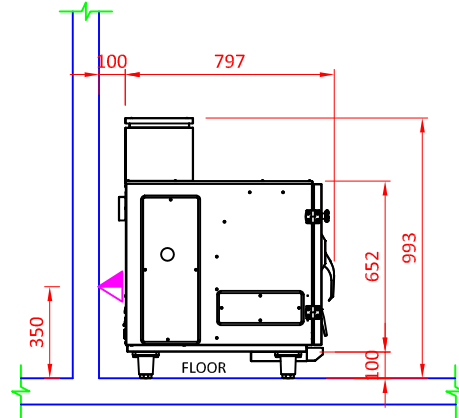
MACOM ELETRIC EASY COOK

EASYCOOK
REV. 12_23_D_EN

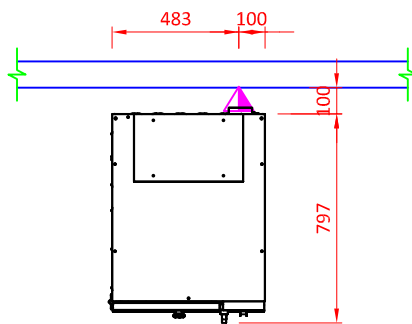
► EASYCOOK




FRONT VIEW



SIDE VIEW



TOP VIEW

 Eletric point on the wall 220V - 60Hz. To receive steck plug 350 mm above the floor

OBSERVAÇÕES :

- Predict hood for the collection of fat and steam;
- Measures in millimeters;
- Drawing without scale;
- Position of points suggested by the manufacturer;
- All installation and gas must comply with ABNT standards;

WARRANTY :

All products manufactured by Aços Macom are tested and guaranteed, through its factory and its authorized representatives. The Technical Assistance service covered by warranty will be provided by Aços Macom or one of its authorized representatives, from Monday to Friday from 8 am to 5 pm. For more information consult Macom technical support by phone +55 11 2085-7000 or by the website: www.acosmacom.com.br